



PEL-18 LED-REC

Self-Contained Emergency Luminaire



LED Self-Contained Emergency Luminaire (Super Bright LEDs)



PEL-18LED-REC

MODEL	• • ➔	PEL-18LED-REC
MODE	• • ➔	Non-maintained
WEIGHT	• • ➔	1.6 kg
BATTERY	• • ➔	3.6V high temperature rated sealed Ni-Cad
HOUSING	• • ➔	Electro-galvanised sheet steel with powder coated paint
CHARGER	• • ➔	Constant current
MOUNTING	• • ➔	Ceiling recess mounting
DIMENSION	• • ➔	410 L x 165 W x 100H (mm)
MONITORING	• • ➔	Red L.E.D. " ON " indicates charging
COMPLIANCE	• • ➔	Equipped with momentary switch to simulate power failure
	• • ➔	SIRIM MS 619: Part 102: Sect.102.22: 1985 (P)
	• • ➔	MS IEC 60598-1: 2003
LIGHT SOURCE	• • ➔	8 X 5mm / 0.25w white LED
INPUT VOLTAGE	• • ➔	240V / 50Hz
RECHARGE PERIOD	• • ➔	16 - 24 hours
BACK-UP DURATION	• • ➔	3 hours
BATTERY PROTECTION	• • ➔	Low voltage cut-off to prevent battery from over discharging
POWER CONSUMPTION	• • ➔	<5 VA
DEGREE OF PROTECTION	• • ➔	IP-20
OPERATING TEMPERATURE	• • ➔	0° C to 65° C

For further enquiries, please contact:-

PNE SYSTEMS SDN .BHD. (263861D)

No.3,Jln SS26/13, Tmn Mayang Jaya
47301, Petaling Jaya, Selangor D.E.
Malaysia.

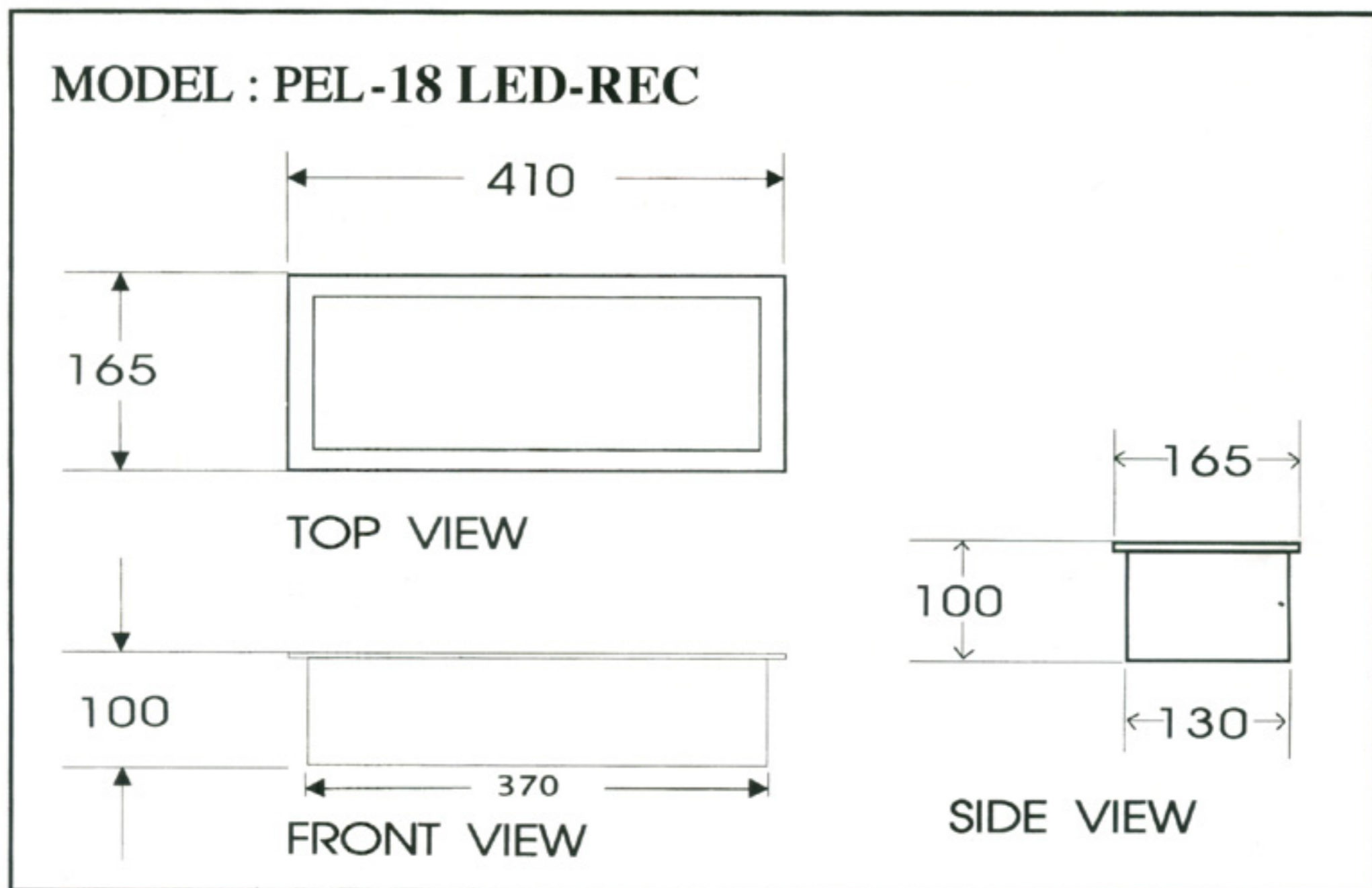
Tel: 603-78037488 (Hunting)

Fax: 603-78038509

E-mail: sales@ pnesys.com.my

Website: www.pnesys.com.my

RECESSED MOUNTED TYPE



For further enquiries, please contact :

PNE SYSTEMS SDN. BHD. (263861 D)

No. 3, Jalan SS 26/13,

Taman Mayang Jaya, 47301 Petaling Jaya,

Selangor Darul Ehsan, Malaysia.

Tel : 03-7803 7488 (Hunting)

Fax: 03-7803 8509

E-mail: pnesys@po.jaring.my

Note : Due to continuous development and improvement, our company reserves the right to change specification without notice.

