



PEL - 19

Self-Contained Emergency Luminaire

1 x 8w Self-Contained Emergency Fluorescent Luminaire
(Compact And Stylish Design)



Specifications

- MODEL ➔ PEL-19
- MODE ➔ Non-maintained
- WEIGHT ➔ 0.98 kg
- BATTERY ➔ 4.8V / 3.6V / 1.7AH high temperature rated sealed nickel-cadmium
- HOUSING ➔ Diffuser : PC + UV / Casing : PC + ABS + UV
- CHARGER ➔ Constant current
- MOUNTING ➔ Surface mounting direct to wall or ceiling
- DIMENSION ➔ 348 L x 150 W x 45 H (mm)
- MONITORING ➔ Red L.E.D. "ON" indicates charging
Equipped with tact switch to simulate power failure
- COMPLIANCE ➔ SIRIM MS 619 : Part 102 : Sect. 102.22 : 1985 (P)
MS IEC 60598-1 : 2003
- LIGHT SOURCE ➔ 1 x 8w (F8T5 fluorescent lamp)
- INPUT VOLTAGE ➔ 240V / 50Hz
- RECHARGE PERIOD ➔ 16 - 24 hours
- BACK-UP DURATION ➔ 3 hours
- BATTERY PROTECTION ➔ Low voltage cut-off to prevent battery from over discharging
- POWER CONSUMPTION ➔ < 8 VA
- DEGREE OF PROTECTION ➔ IP-20
- OPERATING TEMPERATURE ➔ 0°C to 65°C

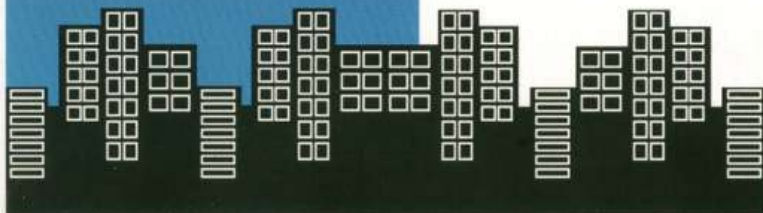
For further enquiries, please contact:-

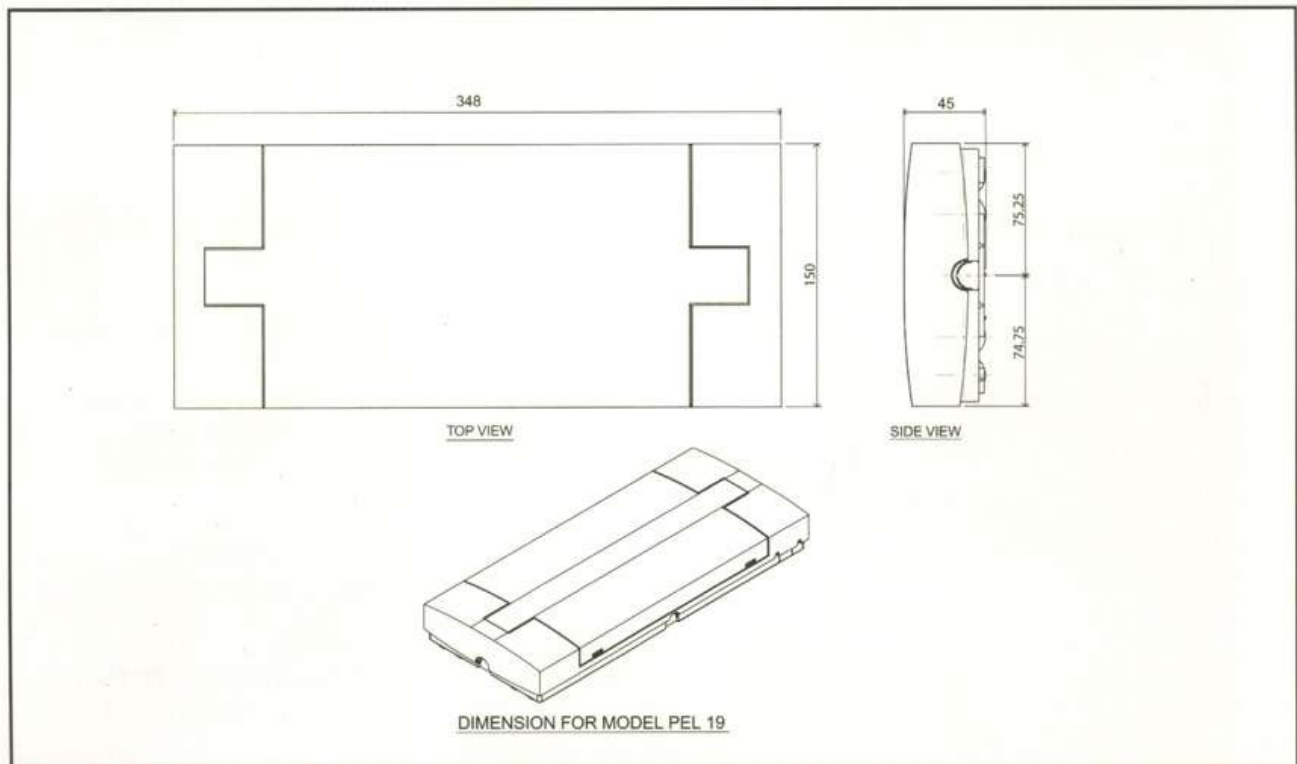
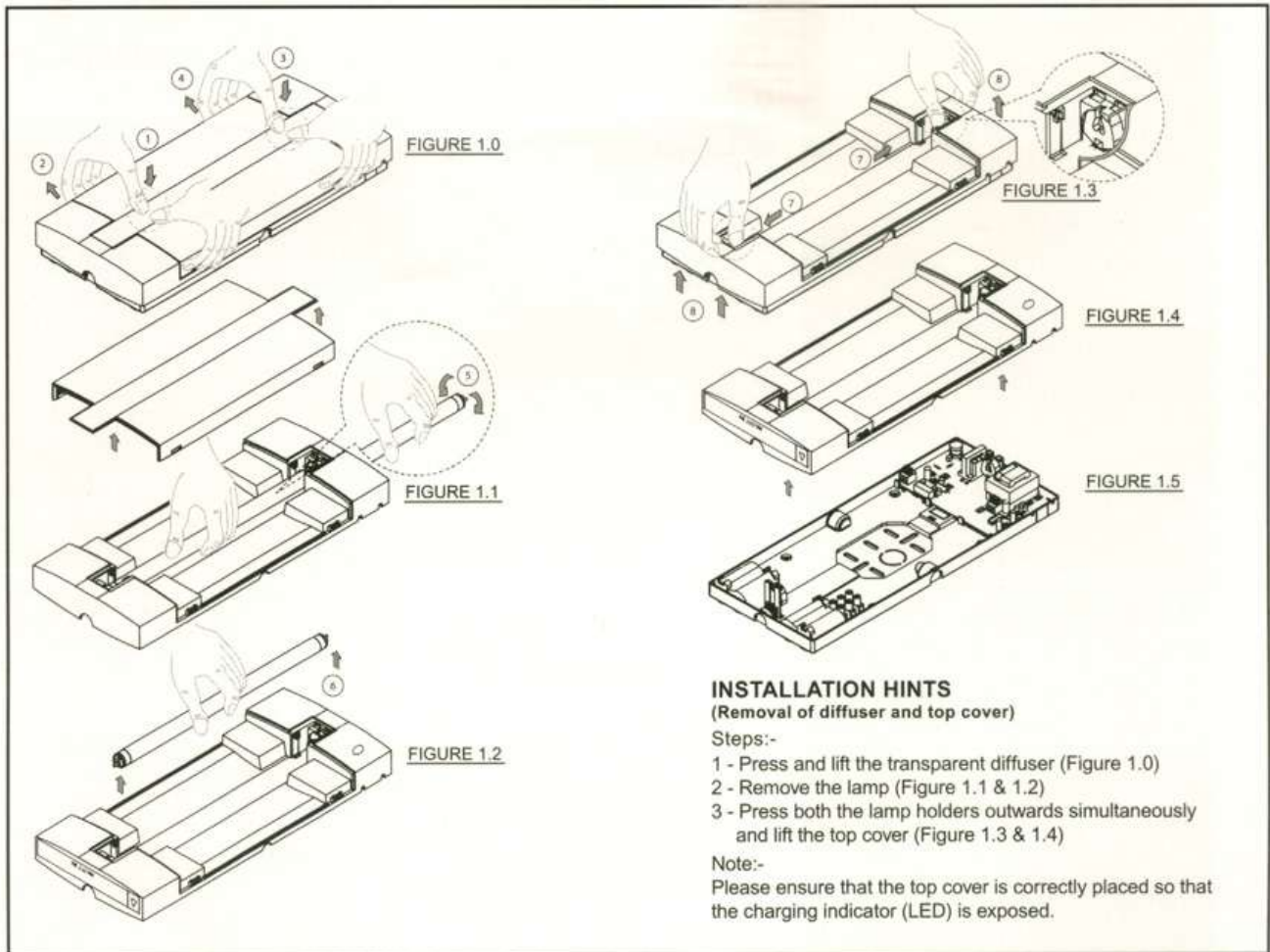
MALAYSIA :

PNE SYSTEMS SDN. BHD. (263861-D)
No. 3, Jalan SS26/13, Taman Mayang Jaya,
47301 Petaling Jaya, Selangor Darul Ehsan.
Malaysia.
Tel: 603-7803 7488 (Hunting)
Fax: 603-7803 8509
E-mail: pnesys@po.jaring.my

SINGAPORE :

PNE TRANSLITE PTE LTD
996, Bendemeer Road, # 07-07
Singapore 339944
Tel: 65-6291 0698 (Hunting)
Fax: 65-6295 8440
E-mail: translite@pne.com.sg





Note : Due to continuous development and improvement, our company reserves the right to change specifications without notice