



PEL - 18 LED

Self-Contained Emergency Luminaire

LED Self-Contained Emergency Luminaire
(Super Bright LEDs)



Specifications

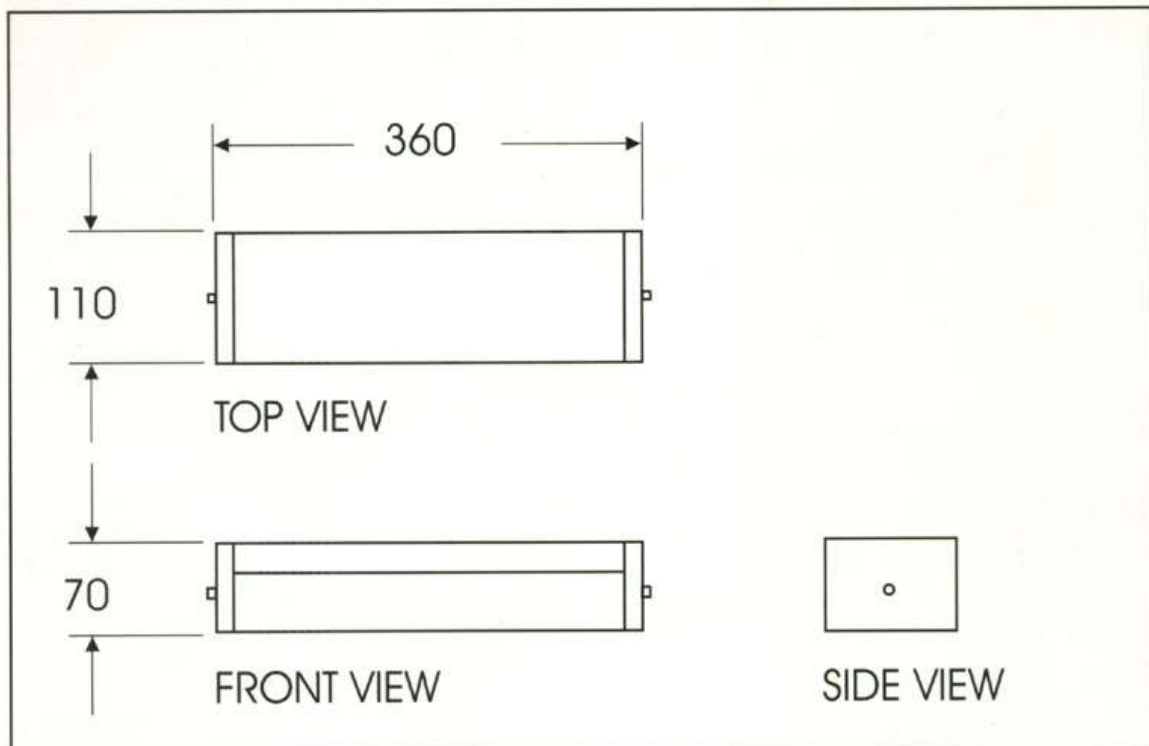
- MODEL ➔ PEL-18 LED
- MODE ➔ Non-maintained
- WEIGHT ➔ 0.98 kg
- BATTERY ➔ 3.6V high temperature rated sealed nickel-cadmium
- HOUSING ➔ Electro-galvanised sheet steel with powder coated paint
- CHARGER ➔ Constant current
- MOUNTING ➔ Surface mounting direct to wall or ceiling
- DIMENSION ➔ 360 L x 110 W x 70 H (mm)
- MONITORING ➔ Red L.E.D. "ON" indicates charging
Equipped with push button switch to simulate power failure
- COMPLIANCE ➔ SIRIM MS 619 : Part 102 : Sect. 102.22 : 1985 (P)
MS IEC 60598-1 : 2003
- LIGHT SOURCE ➔ 6 x 5mm / 0.25w white LED
- INPUT VOLTAGE ➔ 240V / 50Hz
- RECHARGE PERIOD ➔ 16 - 24 hours
- BACK-UP DURATION ➔ 3 hours
- BATTERY PROTECTION ➔ Low voltage cut-off to prevent battery from over discharging
- POWER CONSUMPTION ➔ < 5 VA
- DEGREE OF PROTECTION ➔ IP-20
- OPERATING TEMPERATURE ➔ 0°C to 65°C

For further enquiries, please contact:-

PNE SYSTEMS SDN. BHD. (263861-D)
 No. 3, Jalan SS26/13, Taman Mayang Jaya,
 47301 Petaling Jaya, Selangor Darul Ehsan,
 Malaysia.
 Tel: 603-7803 7488 (Hunting)
 Fax: 603-7803 8509
 E-mail: pnesys@po.jaring.my

Note : Due to continuous development and improvement, our company reserves the right to change specifications without notice

PEL-18 LED



For further enquiries, please contact:-

PNE SYSTEMS SDN. BHD. (263861-D)

No. 3, Jalan SS26/13, Taman Mayang Jaya,
47301 Petaling Jaya, Selangor Darul Ehsan.
Malaysia.

Tel: 603-7803 7488 (Hunting)

Fax: 603-7803 8509

E-mail: pnesys@po.jaring.my

Note : Due to continuous development and improvement, our company reserves the right to change specifications without notice

